



Data Sheet

Flexible Screw Conveyors

MANUFACTURING CO.

Company: _____
 Contact: _____
 Address: _____
 City/ST/Zip: _____
 Phone: _____
 Fax: _____
 Email: _____

Other Properties (Continued)

- Stickiness Adhesion
- Gives Off Harmful or Toxic Gas or Fumes
- Highly Corrosive
- Mildly Corrosive
- Hygroscopic
- Interlocks,
- Mats or Agglomerates
- Oils Present
- Packs under Pressure
- Very Light and Fluffy – May be windswept

Material:

Density (lbs/ft³): _____
 Capacity (ft³/hr): _____
 Material _____
 Temp °F _____

Duty: (Hrs/Day) _____
 (Days/Wk) _____

Motor Characteristics:

Voltage _____
 AC/DC _____
 Phase _____
 Cycles _____
 TEFC _____
 Wash down _____

Material Characteristics

(Check one in each category)

Size:

- Very Fine
- Fine
- Granular
- Lumpy
- Irregular

Flowability:

- Very Free Flowing
- Free Flowing
- Average Flowability
- Sluggish

Abrasiveness:

- Mildly Abrasive
- Moderately Abrasive
- Extremely Abrasive

Other Properties (Check all that apply)

- Builds Up and Hardens
- Generates Static Electricity
- Flammable
- Becomes Plastic or Softens
- Very Dusty
- Aerates and Becomes Fluid
- Explosive

Explosive Proof: Class _____ Groups _____ Div _____

Metal Surfaces Construction:

- 304 SS
- 316 SS
- Mild Steel

Controls: Variable Fixed

Inlet Sensors: High Low

Flow Aids: Vibrator Agitator
 Aeration Pads

Metal Finish: Industrial
 Food Grade
 Sanitary

Hopper: Top Cover
 Dust Hood
 Slitting Shelf
 Dust Collector



Data Sheet

Flexible Screw Conveyors

Conveyor General Information:

Inlet Hopper Capacity (ft³): _____

Horizontal Distance (ft): _____

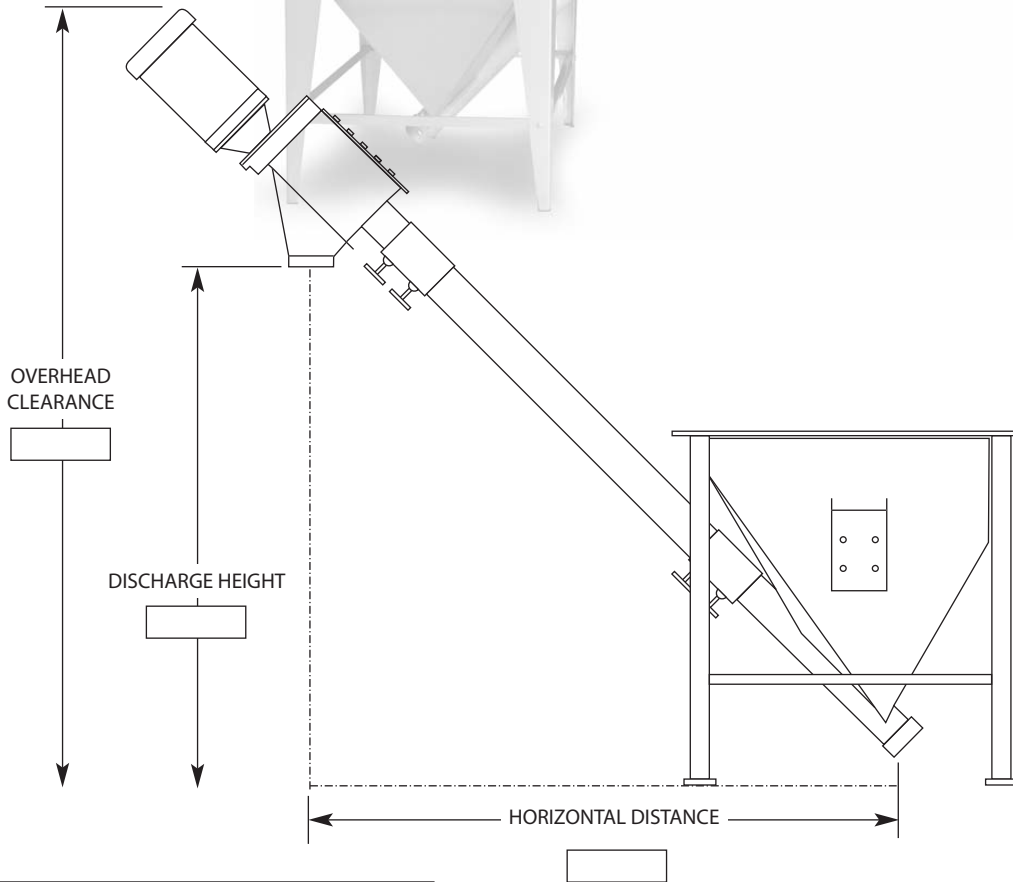
Discharge Height (ft): _____

Overhead Clearance (ft): _____

Notes:

Conveyor Configuration:

- Fixed Conveyor
- Portable Conveyor - 304 SS Frame
- Portable Conveyor - Mild Steel Frame



Tech3 Manufacturing Co.
 Phone - (269) 375-4469 or (269) 207-7360
 Fax - (269) 375-4479
 E-mail - jdurlach@tech3mfg.com
 P.O. Box 2026
 Kalamazoo, MI 49003-2026
www.tech3mfg.com

**Guaranteed High Quality
 And Low Cost!**